

# JB655EK/SK

## GE® Series 30" Free-Standing Electric Range

### RECEPTACLE LOCATIONS

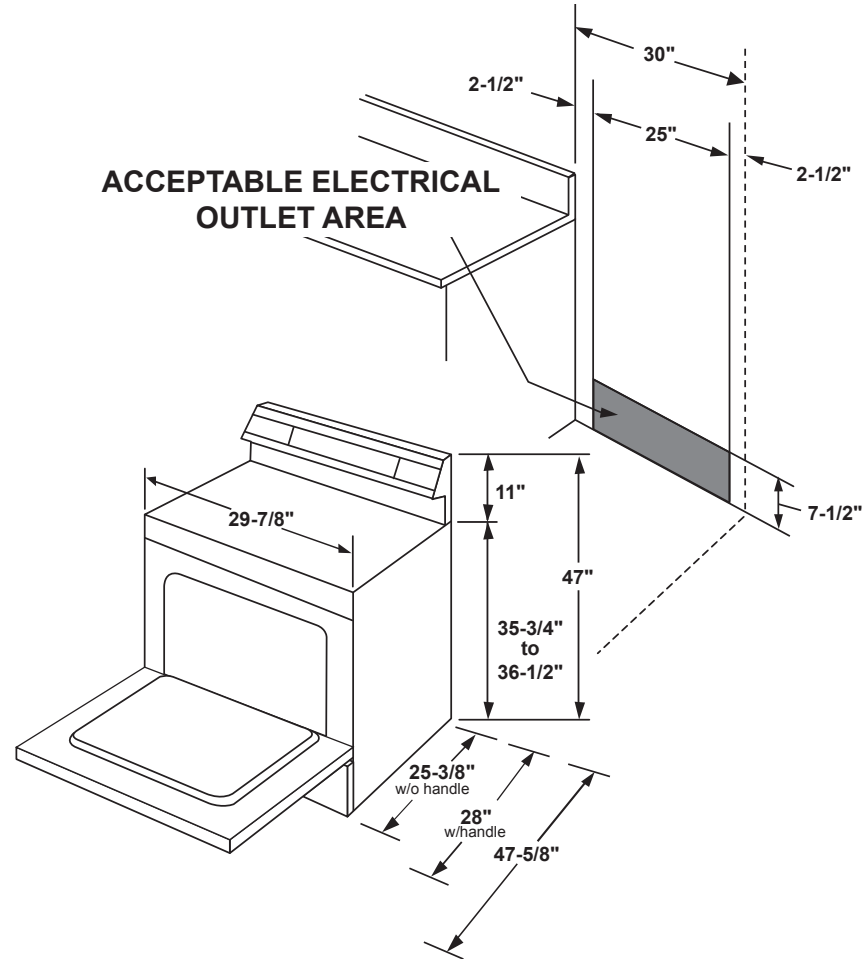
Locally approved flexible service cord or conduit must be used because terminals are not accessible after range installation. See shaded area in drawing for location of electrical outlet box. Recommended outlet locations allow range to be installed directly against wall.

**NOTE:** This appliance has been approved for 0" spacing to adjacent surfaces above the cooktop. However, a 6" minimum spacing to surfaces less than 15" above the cooktop and adjacent cabinet is recommended to reduce exposure to steam, grease splatter and heat.

**INSTALLATION INFORMATION:** Before installing, consult installation instructions for current dimensional data and additional requirements.

KW RATING	
240V	12.5
208V	9.4
BREAKER SIZE	
240V	40 Amps†
208V	40 Amps†

**NOTE:** Check local codes for required breaker size.



For answers to your Monogram, GE Café™ Series, GE Profile™ Series or GE® Series appliance questions, visit our website at [geappliances.com](http://geappliances.com) or call GE Answer Center® service, 800.626.2000.



All GE ranges are equipped with an Anti-Tip device. The installation of this device is an important, required step in the installation of the range.



Listed by Underwriters Laboratories

# JB655EK/SK

## GE® Series 30" Free-Standing Electric Range

### FEATURES AND BENEFITS

12"/9" dual element – Two heating elements in one offer flexibility

9"/6" Power Boil element – Produces rapid, powerful heat

Convection – Enjoy even baking without turning the pan

Fast preheat – Make hot meals in a hurry with less time preheating

Fifth element warming zone – Provides low-heat capability for foods

Self-clean oven – Cleans the oven cavity without the need for scrubbing

5.3 cu. ft. oven capacity – Enough room to cook an entire meal at once

Model JB655SKSS – Stainless steel

Model JB655EKES – Slate



GE APPLIANCES